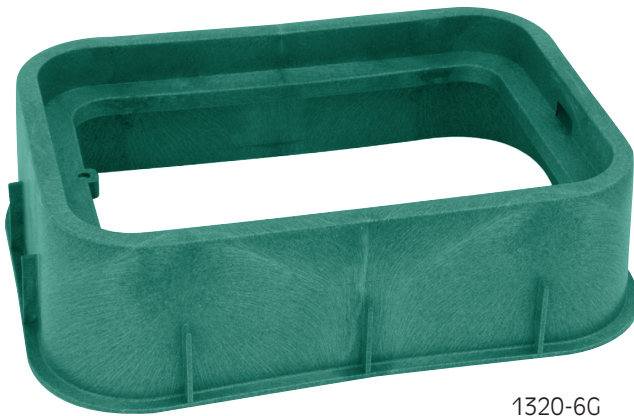


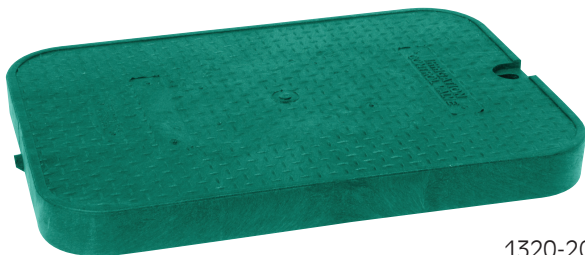
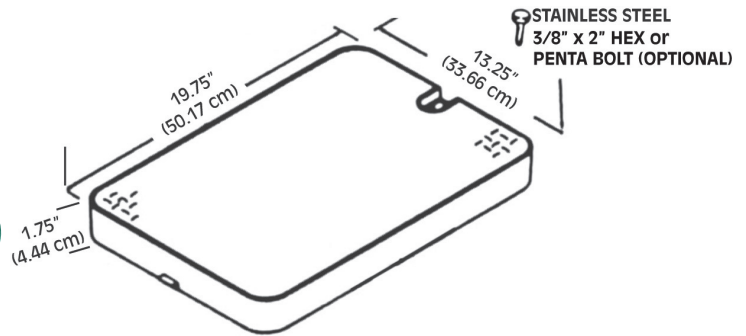
SERIES 1320-6G (6" HIGH) BODY GREEN

■ 48 PER PALLET

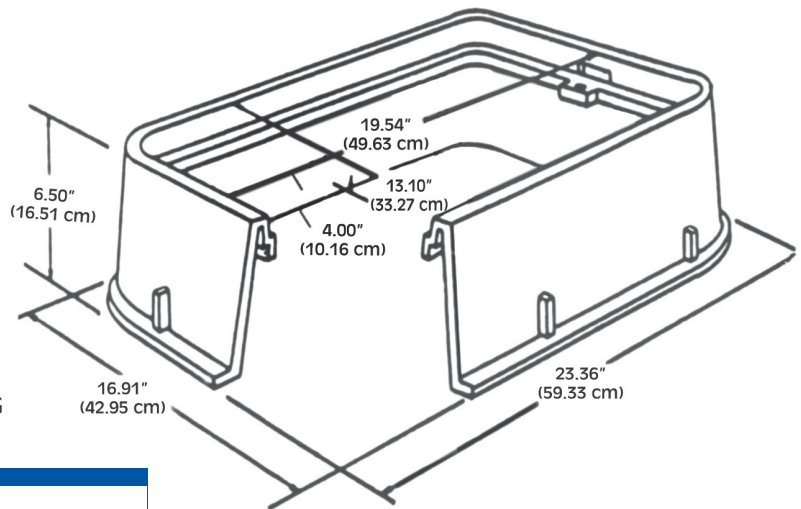
■ BODY & COVER	1320-6G2G	8.54 LBS.	3.87 KG
■ BODY	1320-6G	4.99 LBS.	2.27 KG
■ COVER	1320-2G	3.55 LBS.	1.60 KG



1320-6G



1320-2G



AVAILABLE IN GREEN ONLY. OTHER COLORS MAY BE AVAILABLE BY SPECIAL REQUEST.

SPECIAL FEATURES

- FOR USE WITH SHALLOW PIPE INSTALLATION
- NESTABLE FOR STORAGE OR SHIPPING
- HEAVY DUTY CONSTRUCTION
- MOLDED IN NYLON NUT FOR BOLT

STANDARD MARKINGS AVAILABLE (IRRIGATION CONTROL VALVE • WATER (SOLID OR METER READER) • SEWER • ELECTRIC (GREEN) • CATV • TELEPHONE • BLANK)