

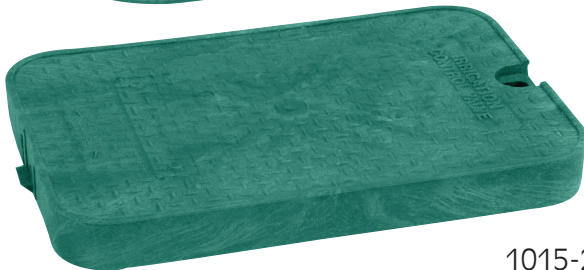
SERIES 1015-XG (6" High) Top EXTENSION GREEN

48 PER PALLET

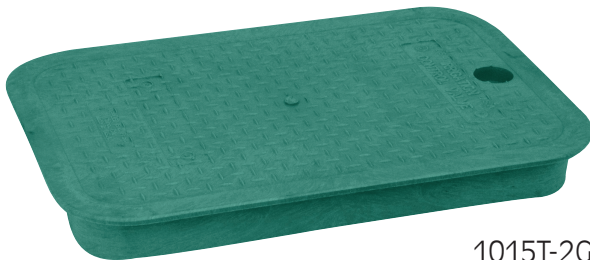
BODY & COVER	1015-XG2G	6.42 LBS.	2.91 KG
BODY	1015-XG	4.15 LBS.	1.88 KG
COVER	1015-2G	2.27 LBS.	1.03 KG
"T" COVER	1015-T2G	2.24 LBS.	1.02 KG



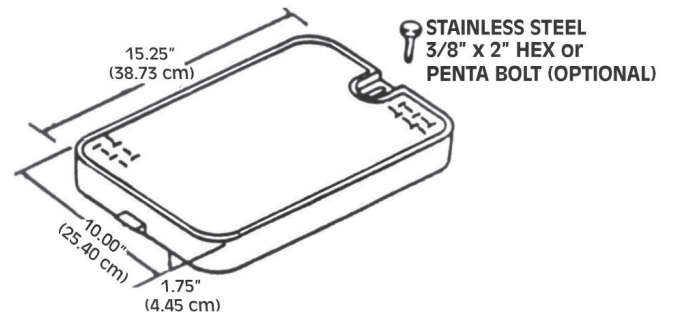
1015-XG



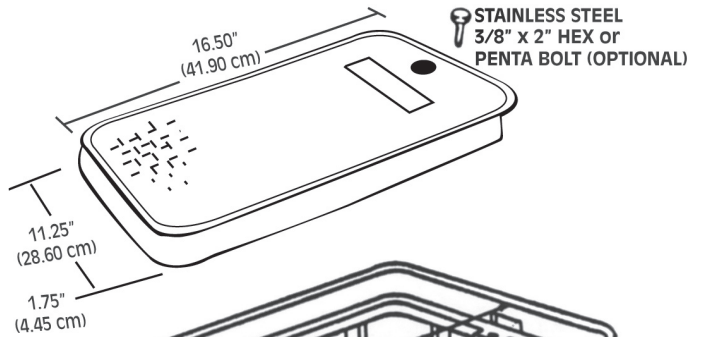
1015-2G



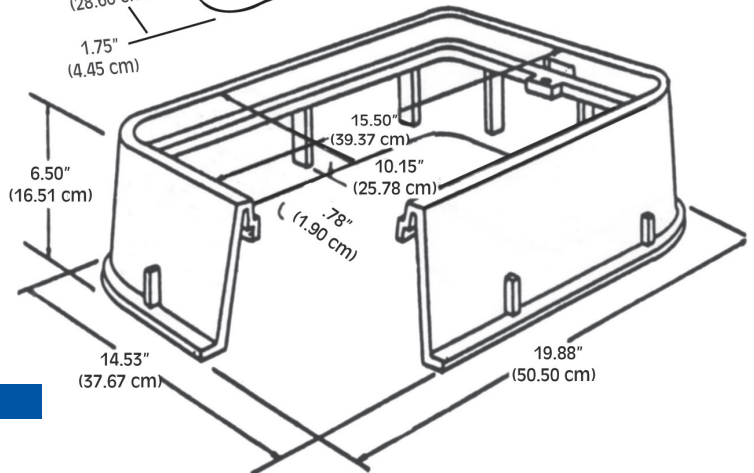
1015T-2G



STAINLESS STEEL
3/8" x 2" HEX or
PENTA BOLT (OPTIONAL)



STAINLESS STEEL
3/8" x 2" HEX or
PENTA BOLT (OPTIONAL)



SPECIAL FEATURES

- FOR USE WITH SHALLOW PIPE INSTALLATION
- NESTABLE FOR STORAGE OR SHIPPING
- HEAVY DUTY CONSTRUCTION
- MOLDED IN NYLON NUT FOR BOLT
- UV INHIBITORS TO PREVENT DISCOLORATION & CRACKING

OTHER STOCK COLORS AVAILABLE

- TAN
- BLACK
- LAVENDER

STANDARD MARKINGS AVAILABLE (IRRIGATION CONTROL VALVE (ICV))
 • ELECTRIC • SEWER • WATER • BLANK (NO COVER MARKINGS)