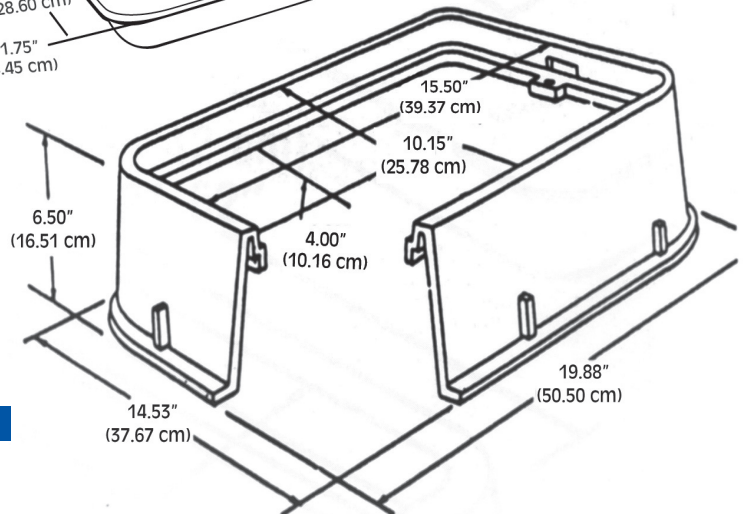
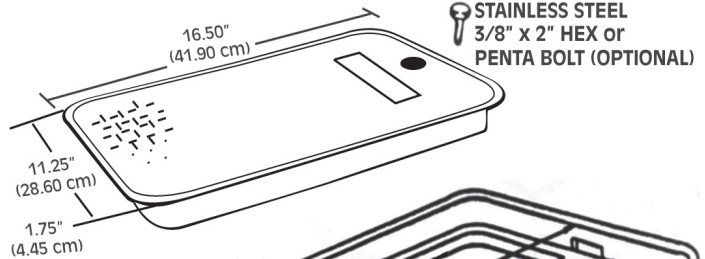
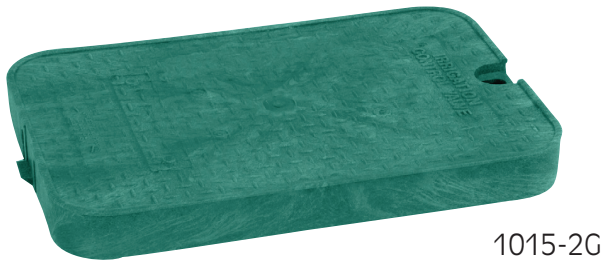
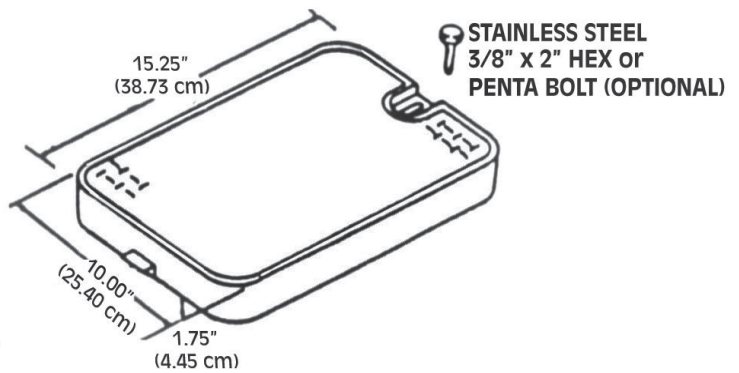


## SERIES 1015-6G (6" HIGH) BODY GREEN

**60 PER PALLET**

■ BODY & COVER	1015-6G2G	6.42 LBS.	2.91 KG
■ BODY	1015-6G	4.15 LBS.	1.88 KG
■ STANDARD DROP-IN COVER	1015-2G	2.27 LBS.	1.03 KG
■ "T" COVER	1015T-2G	2.24 LBS.	1.02 KG



### SPECIAL FEATURES

- FOR USE WITH SHALLOW PIPE INSTALLATION
- NESTABLE FOR STORAGE OR SHIPPING
- HEAVY DUTY CONSTRUCTION
- MOLDED IN NYLON NUT FOR BOLT
- UV INHIBITORS TO PREVENT DISCOLORATION & CRACKING

**AVAILABLE IN GREEN ONLY. OTHER COLORS MAY BE AVAILABLE BY SPECIAL REQUEST.**

**STANDARD MARKINGS AVAILABLE (IRRIGATION CONTROL VALVE (ICV))**  
 • ELECTRIC • SEWER • WATER • BLANK (NO COVER MARKINGS)